

FORD TRANSIT CEILING LINER (2015+)

CEILING LIGHT PLATES - 2 EXTRA

INSTALLATION INSTRUCTIONS

RECOMMENDED TOOLS

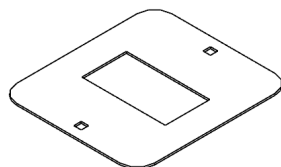
8mm nut driver/wrench Knife/Jigsaw Drill with 1/4" bit

BEFORE BEGINNING THE INSTALLATION

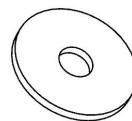
1. Refer to the images below. Check to make sure all of the listed items were provided.
2. Gather the recommended tools listed above.

NOTES:

- This is an accessory hardware kit to be used with a VanGuard ceiling liner kit for vans which have more ceiling lights than the standard factory install.
- This installation will need to be completed before installing your ceiling liner. If the liner has already been installed, it must be removed.



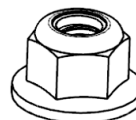
570479A - Light Mounting Plate
(QTY: 2)



380248 - Washer
(QTY: 4)



380484 - Carriage Bolt
(QTY: 4)



380356 - Flanged Nut
(QTY: 4)

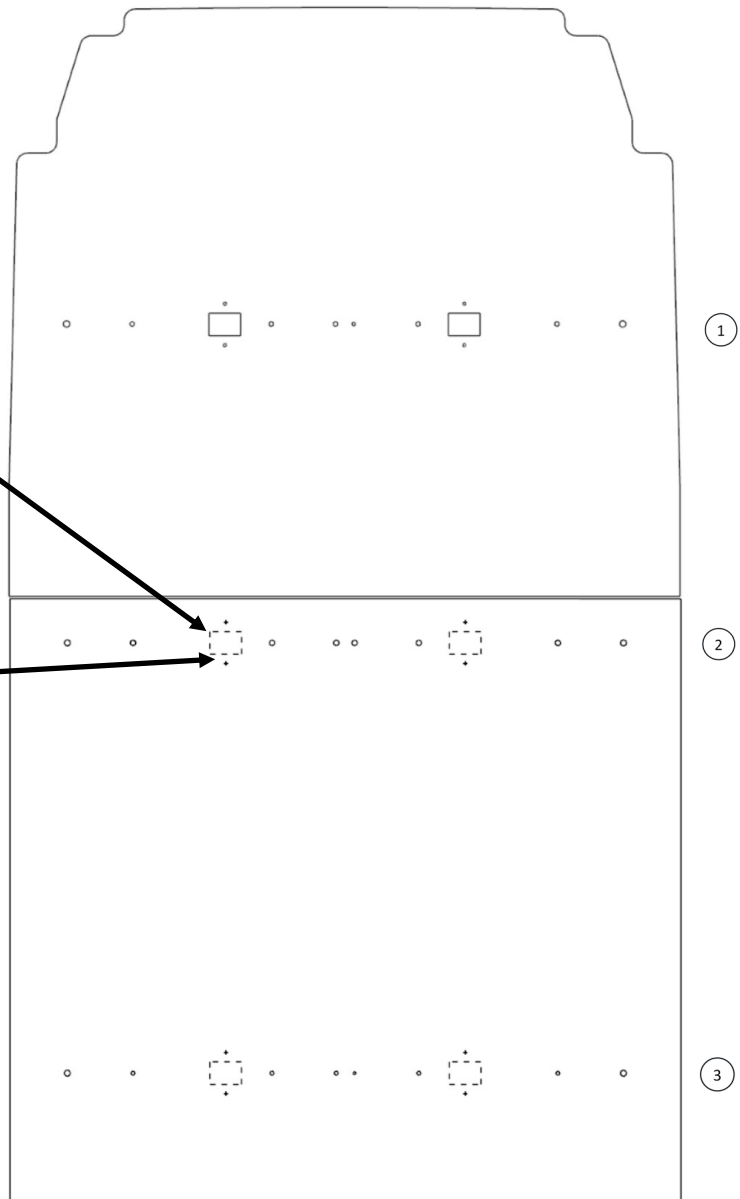
Ceiling liner preparation for extra ceiling lights

Transit vans come with lights pre-installed in the ceiling support beams that align with row #1 in the image. If your vehicle has lights installed at other rows, this hardware kit provides light mounting plates for them. Follow the steps below to prepare your ceiling liner panels.

A1. Cut out the rectangular holes in the row with the extra lights (2 of each per row). These are perforated in the back of the liner for easy cutting. Cut these only on the rows that you will be installing light mounting plates.

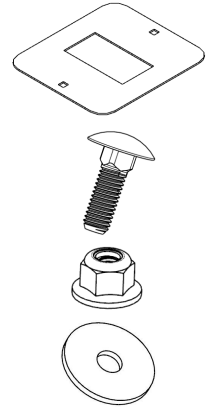
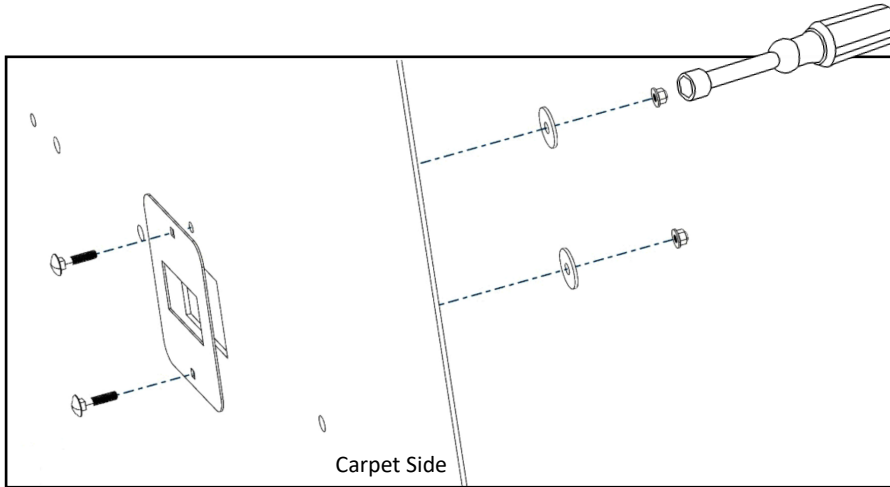
A2. Bolt holes are marked with a small dimple. Drill (or cut) these out for the light mounting plate hardware.

A3. Install light mounting plates according to the steps on page 3.



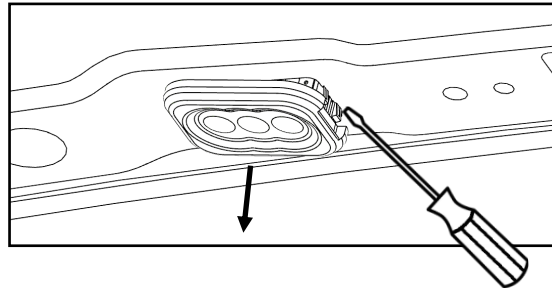
*Actual van panels may vary

1 Install light mounting plate to the ceiling liner on the carpeted side of the ceiling liner.



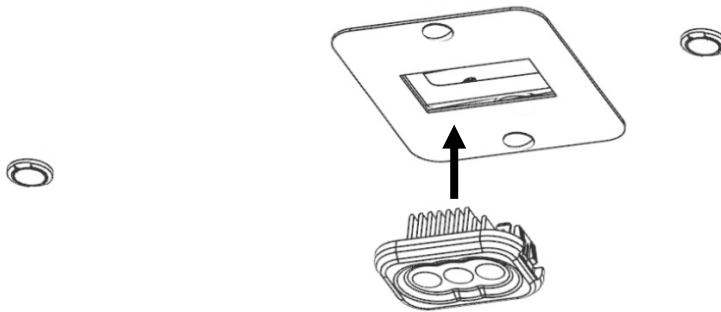
2 Remove ceiling lights from van.

Disconnect wires from back of light and set light aside for later use.



3 Install (or re-install) ceiling liners into vehicle. Use installation instructions provided in your ceiling liner kit.

4 Pull ceiling light cables through light mounting plate. Reattach cables to light and install light into light mounting plate.



VANGUARD
PROTECTION PERFECTION

800.356.7704 - www.Penda.com

Thank you for purchasing a genuine Penda VanGuard™ product. This product has been designed and validated to fit your vehicle and provide the best possible solution. Please check our other products online or at your distributor.