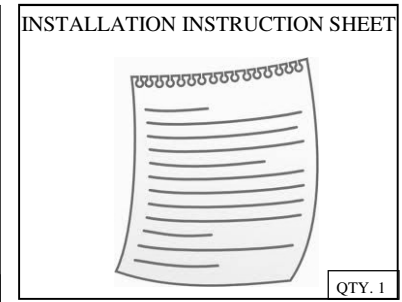
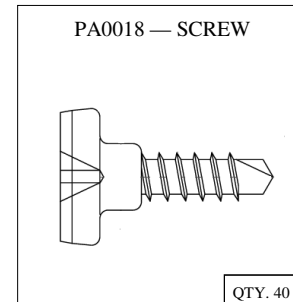
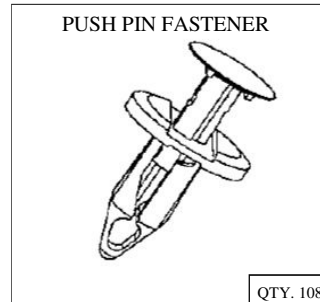
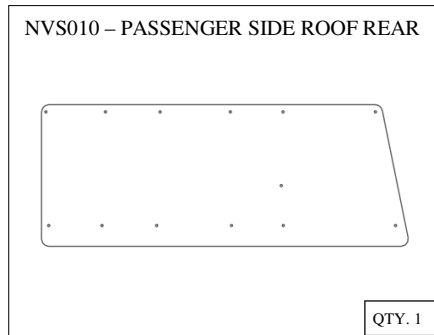
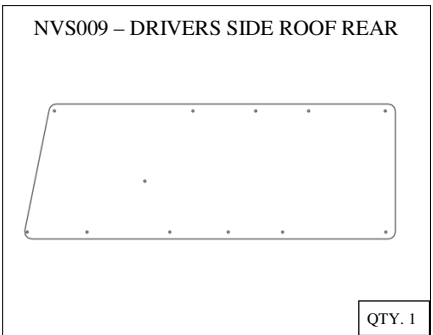
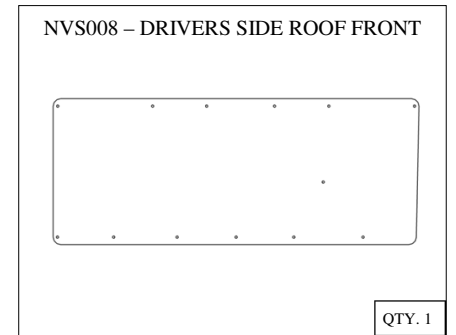
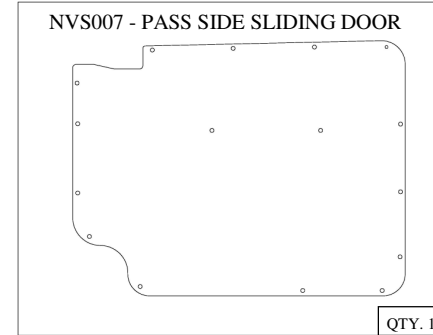
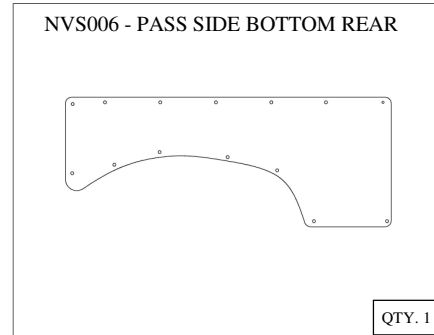
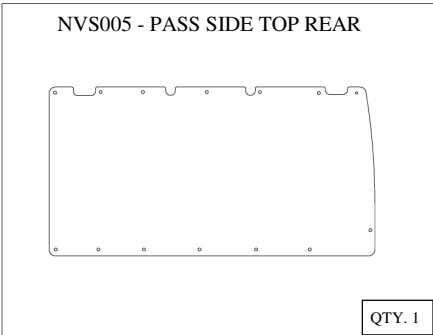
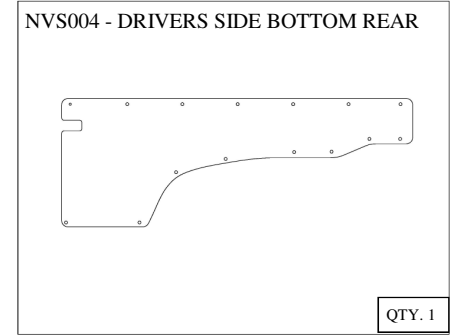
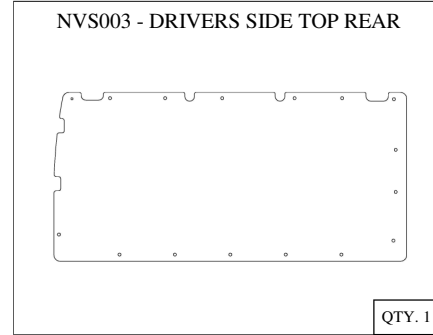
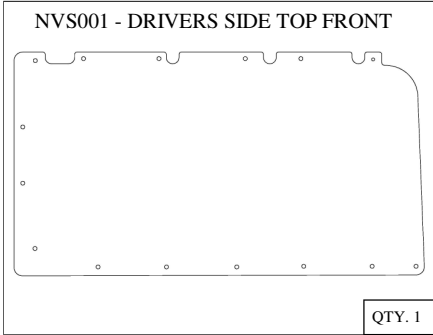


# NISSAN NV CARGO VAN WALL PANEL INSTALLATION INSTRUCTIONS

## KIT COMPONENTS



**INSTRUCTIONS FOR VAN WITH PRE-INSTALLED PARTICLE BOARD PANELS: (Parts NVS001, NVS002, NVS003, NVS004, NVS005, NVS006, & NVS007)**

1. Remove and discard the pre-installed particle board panels and fasteners. **(Special tool helps immensely with the fastener removal)**
2. Use the 3/8" hole in each plastic panel to locate and accurately position the panels on the van wall and place the first plastic fastener in this hole.
3. Place fasteners through each of the remaining holes. **(Rubber headed hammer works well for final fastener installed positioning.)**

**NOTE: It does not matter which order the plastic panels are installed.**

**INSTRUCTIONS FOR VAN WITHOUT PRE-INSTALLED PARTICLE BOARD PANELS: (Parts NVS001, NVS002, NVS003, NVS004, NVS005, NVS006, & NVS007)**

1. Use the 3/8" hole in each plastic panel to locate and accurately position the panels on the van wall and place the first fastener in this hole.
2. Place fasteners through each of the remaining holes. **(Rubber headed hammer works well for final fastener installed positioning.)**

**NOTE: It does not matter which order the plastic panels are installed.**

**INSTRUCTIONS FOR INSTALLATION OF THE HIGH ROOF PANELS: (Parts NVS008, NVS009, & NVS010) - (Self tapping screws for installation)**

1. Align one of the rear panels (NVS009 or NVS010) in the recessed area of the upper rear walls of the Van.
2. Mark the center of two of the pre-drilled 3/8" holes along each upper edge for a good starting point.
3. With a 1/8" drill bit drill out the marked holes.
4. Align panel up with the holes that were drilled out and fasten in place with the screws provided in the kit.
5. With the panel in place, continue to place the self tapping screws in all other pre-drilled hole locations, securing the panel in place.
6. Continue on to the second High Roof (NVS009 or NVS010) panel, marking and drilling holes, then securing that panel in place with the self tapping screws, similar to the first High Roof panel.
7. Continue on to the third High Roof (NVS008) panel, marking and drilling holes, then securing that panel in place with self tapping screws, similar to the first and second High Roof panels.

**WARNING: If one uses a portable screw gun or driver for the attachment of the self tapping screws, it should be set at a low torque setting as the self tapping screws can easily strip out the sheet metal in the truck. The self tapping screws have a shoulder on them to prevent over tightening panels to walls of Van.**